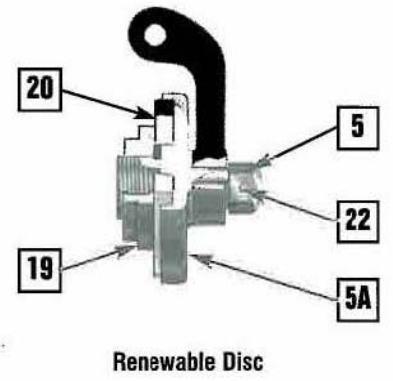
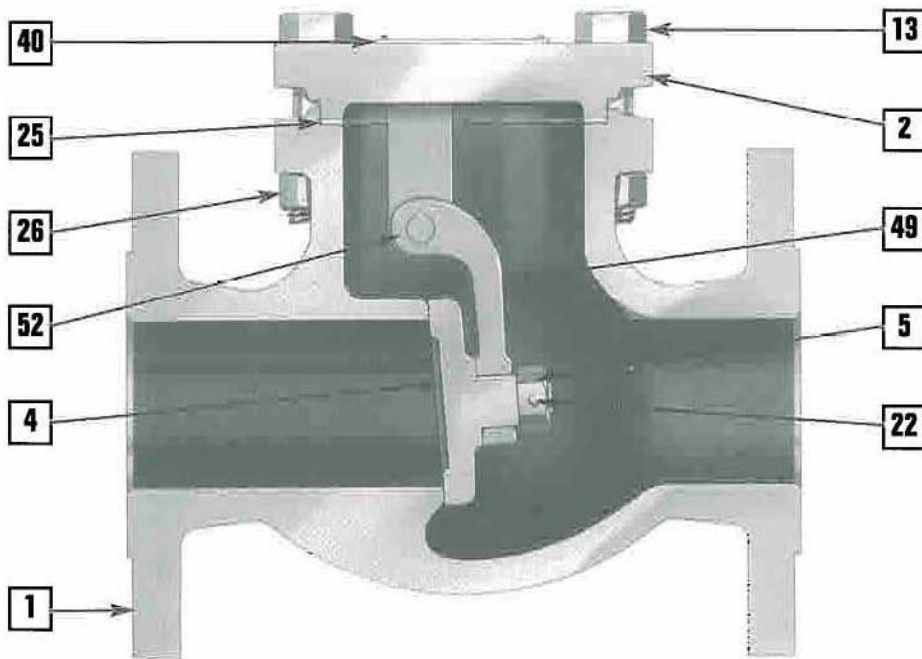


**COMPONENTS & MATERIALS OF CONSTRUCTION**



**LADISH VALVES**

**SWING CHECK VALVES**



**LADISH CORROSION RESISTANT VALVES**



**COMPONENTS & MATERIALS OF CONSTRUCTION**

**LADISH VALVES**

**SWING CHECK VALVES**

NO.	COMPONENT	TYPICAL SWING CHECK VALVE			
		THREADED COVER AISI 316		BOLTED COVER CF8M	
		Material	Specification	Material	Specification
1	Body – Flanged end	-	-	316 SS	ASTM A351 CF8M
1	Body – Threaded, socket or butt weld end	316 SS	ANSI 316	316L SS	ASTM A351 CF3M
2	Cover	316 SS	ANSI 316	316 SS	ASTM A351 CF8M
4	Disc	316 SS	ANSI 316	316 SS	ASTM A351 CF8M
5	Disc Nut	316 SS	ANSI 316	316 SS	ASTM A182 F316
5A	Disc Holder	-	-	316 SS	ASTM A351 CF8M
13	Cover Bolt	-	-	304 SS	ASTM A193 Gr. B8
19	Disc Holder Nut	-	-	316 SS	ASTM A182 F316
20*	Renewable Disc Insert	-	-	Teflon	Teflon
22	Disc Nut Lock Pin	316 SS	AISI 316	316 SS	ASTM A182 F316
25*	Cover Gasket	TFE	TFE	**	**
26	Cover Bolt Nut	-	-	304 SS	ASTM A194 Gr. B8
34	Pipe Plug	316 SS	AISI 316	-	-
40	Identification Plate	Aluminum	Aluminum	Aluminum	Aluminum
49	Arm	316 SS	AISI 316	316 SS	ASTM A351 CF8M
52	Hinge Pin	316 SS	AISI 316	316 SS	ASTM A182 F316

\* Recommended spare parts

\*\* TFE gasket OR  
Flexible graphite gasket

**LADISH VALVES**

Phone: 866-LADISHØ - 866-523-4740 or 281-880-8560

Fax: 281-880-8061

7612 Bluff Point Dr., Houston, TX 77086

**LADISH CORROSION RESISTANT VALVES**